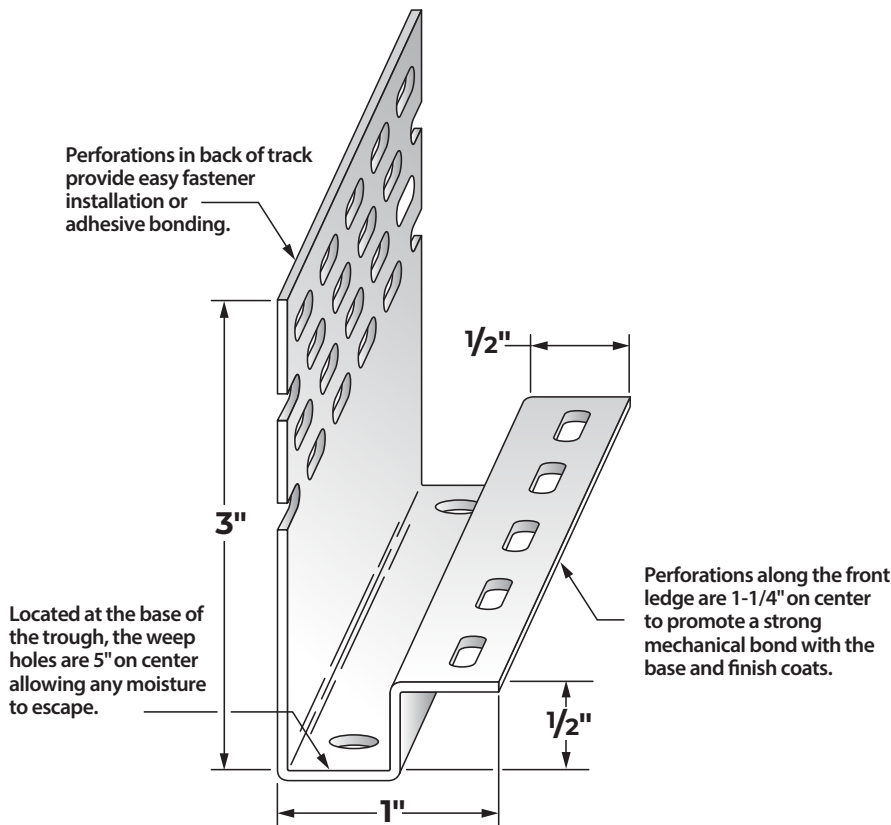


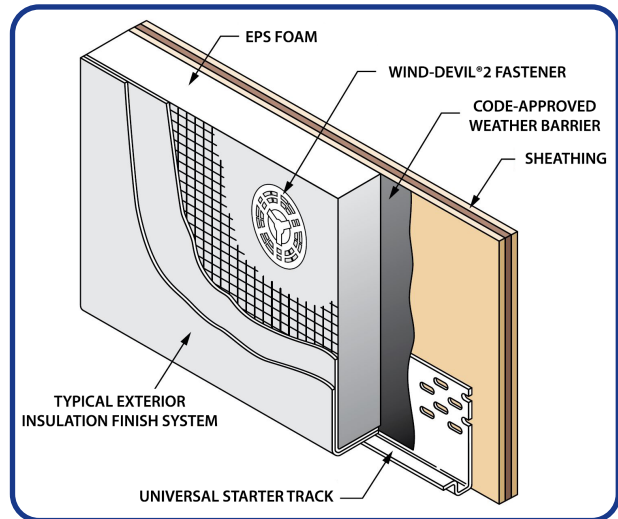
EIFS Drainage Track

Wind-lock's Universal Starter Track (UST) is a PolyVinyl Chloride (PVC) extrusion designed to be used at horizontal terminations and at horizontal joints where Exterior Insulation Finish Systems are expected to drain. Its one-size-fits-all profile eliminates the need to stock different profiles for every insulation thickness.

UST comes in either 10 or 8 foot long pieces (40 per box). It is white in color, but can be painted with most exterior latex paints.



One Size Fits All



Installation

- Reduce Inventory
- Eliminates Wavy Edges
- High Impact and Rustproof
- Weep Holes 5" on Center
- 10 or 8 Foot Long Pieces
- 40 Pieces Per Box