



# A Whole Family of Foam

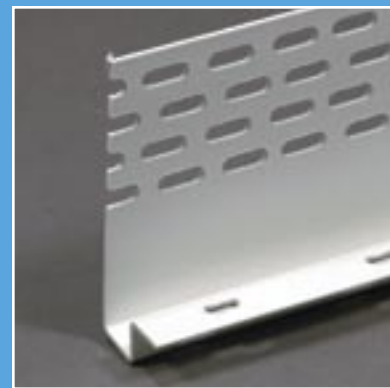
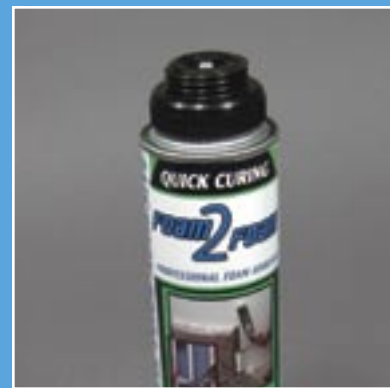
## Essential EIFS Products for Your Success

### Foam2Foam® professional foam adhesive

EIFS professionals throughout North America prefer Foam2Foam® professional foam adhesive over other choices for filling voids, providing sound and thermal insulation, and adhering materials.

**Features:**

- Controllable bead size
- High yield—up to 1475 linear ft.
- Controlled expansion
- Quick cure and trim



### Dow Great Stuff™ Pro foams ... for gaps, cracks and fireblock sealant

Great for filling and air-sealing small holes, gaps and cracks, Great Stuff™ Pro Gaps and Cracks insulating foam sealant also acts as a fireblocking material.

**Features:**

- Fireblock sealant for residential Type V applications
- Fills, seals and insulates gaps up to 3"
- Bonds to most building materials
- High yield—up to 1,000 linear ft. x 3/8" bead
- Controlled expansion
- Quick cure and trim
- Identifiable orange color



### Dow Great Stuff™ Pro foams ... for window and door sealing

Professionals go with the sealing performance of Great Stuff™ Pro Window and Door insulating foam sealant for filling and air-sealing the gap between a window or door and its rough opening.

**Features:**

- Low pressure formula
- Flexible seal permits expansion and contraction
- Bonds to all window types
- Controllable bead size
- Quick cure and trim



### Froth-Pak® Quick-Cure Spray Foam

**Filling cavities, walls, floors, cracks, and joints**

Froth-Pak® is a foam machine in a carton, with chemical curing that allows the two-part polyurethane foam to be dispensed, expand, and become tack free in seconds.

**Features:**

- Simple application, no complicated procedures, professional results
- Dispenses, expands and becomes tack free in seconds
- Cures in 1 minute



**Wind-lock**  
Your faithful business companion  
1055 Leiscz's Bridge Road • Leesport, PA 19533  
610-926-6815 • 1-800-872-5625 • Fax: 1-800-854-6614  
www.wind-lock.com

PRESORTED STANDARD  
US POSTAGE  
**PAID**  
WESTLAWN GRAPHIC

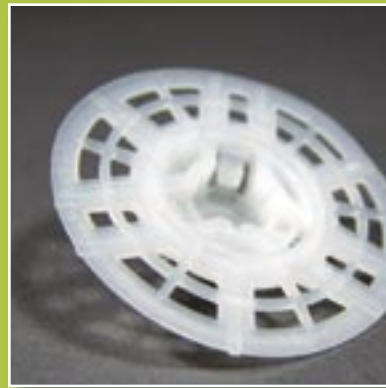
# Wind-Devil® 2 Fasteners

*The trusted system for all-season application*

The Wind-Devil® 2 system is the most advanced EIFS mechanical fastening system on the market. Patented "bull's-eye" closure arms create a thermal chamber to protect the EIFS lamina and allow easy, efficient backing out of any screw, saving valuable time and money.

## Features:

- ASTM E330 rated for highest quality assurance
- Fastener and plate assemblies for wood, lite metal, steel and masonry
- Perfect for overhead application
- All weather application -20°F to +120°F



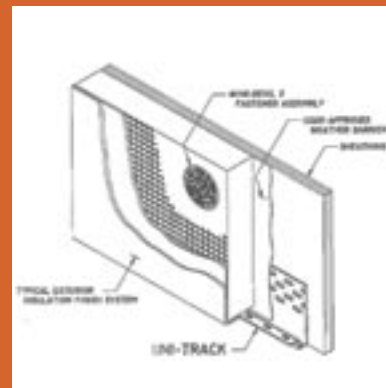
# Universal Starter Track

*One size fits all*

There's no better way to attach sheathing to allow incidental moisture to escape. You get a foolproof solution, all in a "one size fits all" design to reduce your inventory.

## Features:

- One size fits any application
- Reduce inventory
- Eliminates wavy edges
- High impact and rustproof
- Weep holes 5" on center



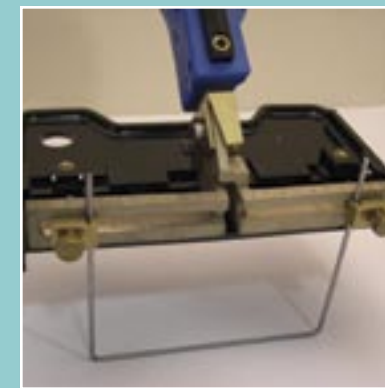
# QC Hot Knife

*Make the cleanest cuts*

Here's the best knife to perform quick, precise cuts in foams. Blade heats to proper temperature to make clean cuts without beads or dust, but handle stays cool.

## Features:

- Comfortable, cool, easy-grip handle
- 16-position temperature-control wheel
- Easy on-off switch
- Available with beds and different blade shapes and sizes



# Success Starts With a Simple Call

Wind-lock leads the way with all the tools needed to succeed in cutting, gluing and finishing EIFS operations. We're part of the success in making EIFS construction the quiet, energy efficient, and easy construction choice for thousands of jobs all across the country.

If you are a contractor and want Wind-lock products, just call your local distributor. To find a distributor near you, simply call 1-800-872-5625. For distributors interested in carrying Wind-lock products, also call 1-800-872-5625.

*Now shipping from Oakland, California and Jacksonville, Florida to better serve you.*

