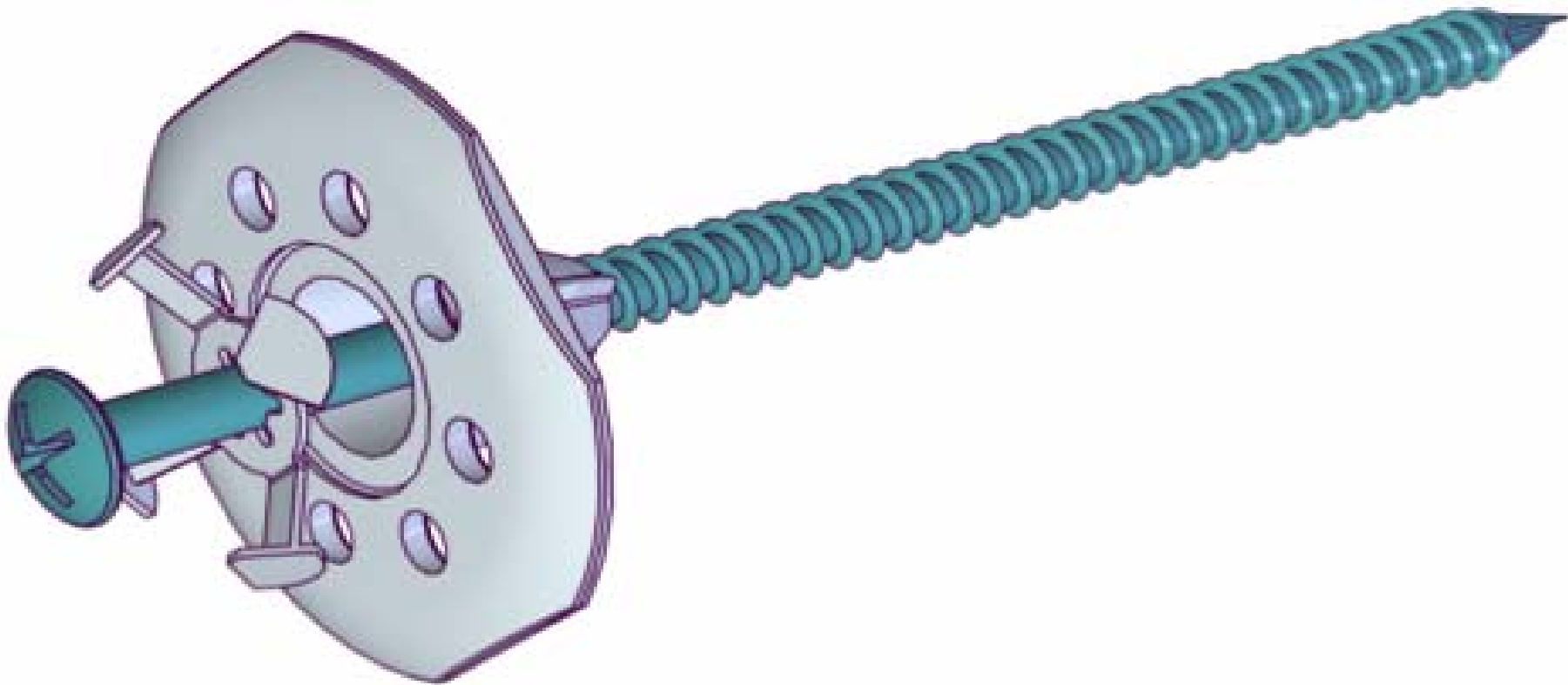


# Long-Lock Fasteners



# Long-Lock Fasteners



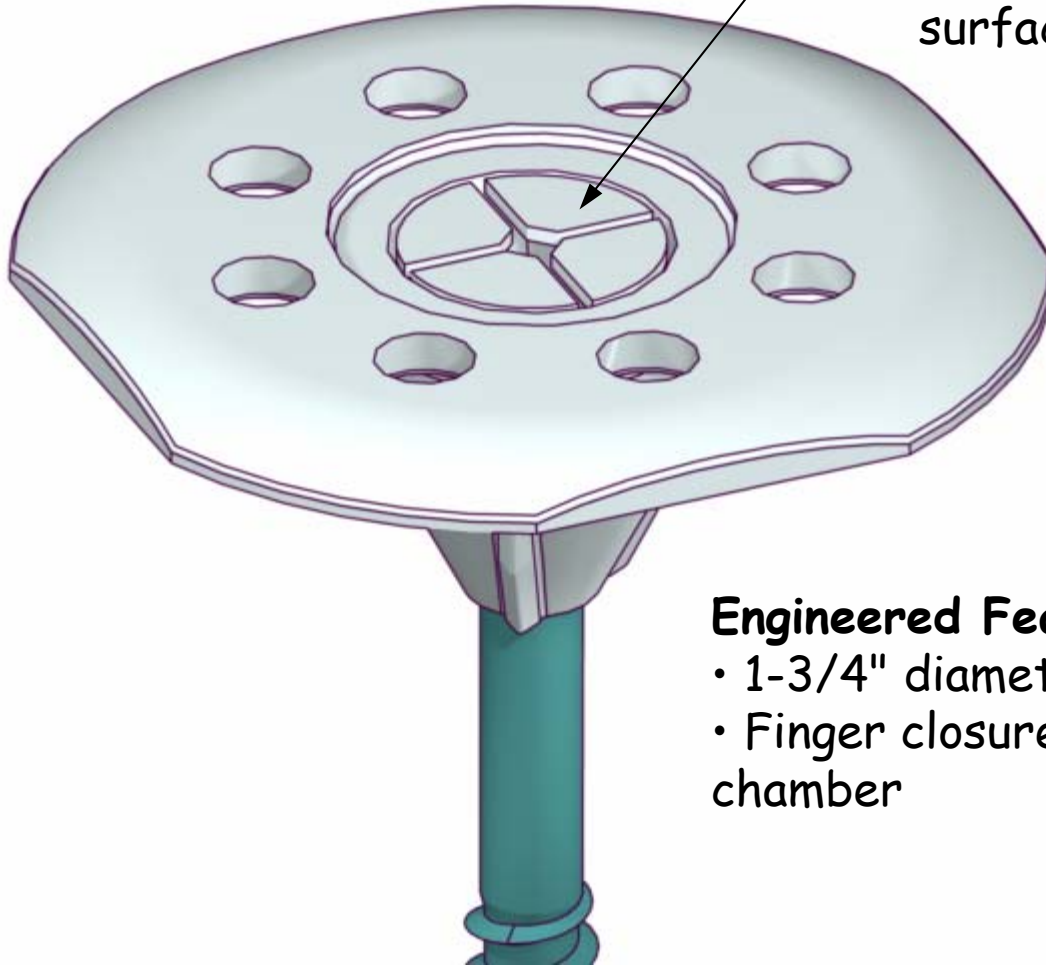
*Always Consult system manufacturer for specific requirements.  
For longer screw lengths contact Wind-Lock @ 1-800-872-5625*

**Wind-lock**  
Your faithful business companion



# Finger closures

Fingers pull closed behind the fastener head, creating a flush surface for coating application

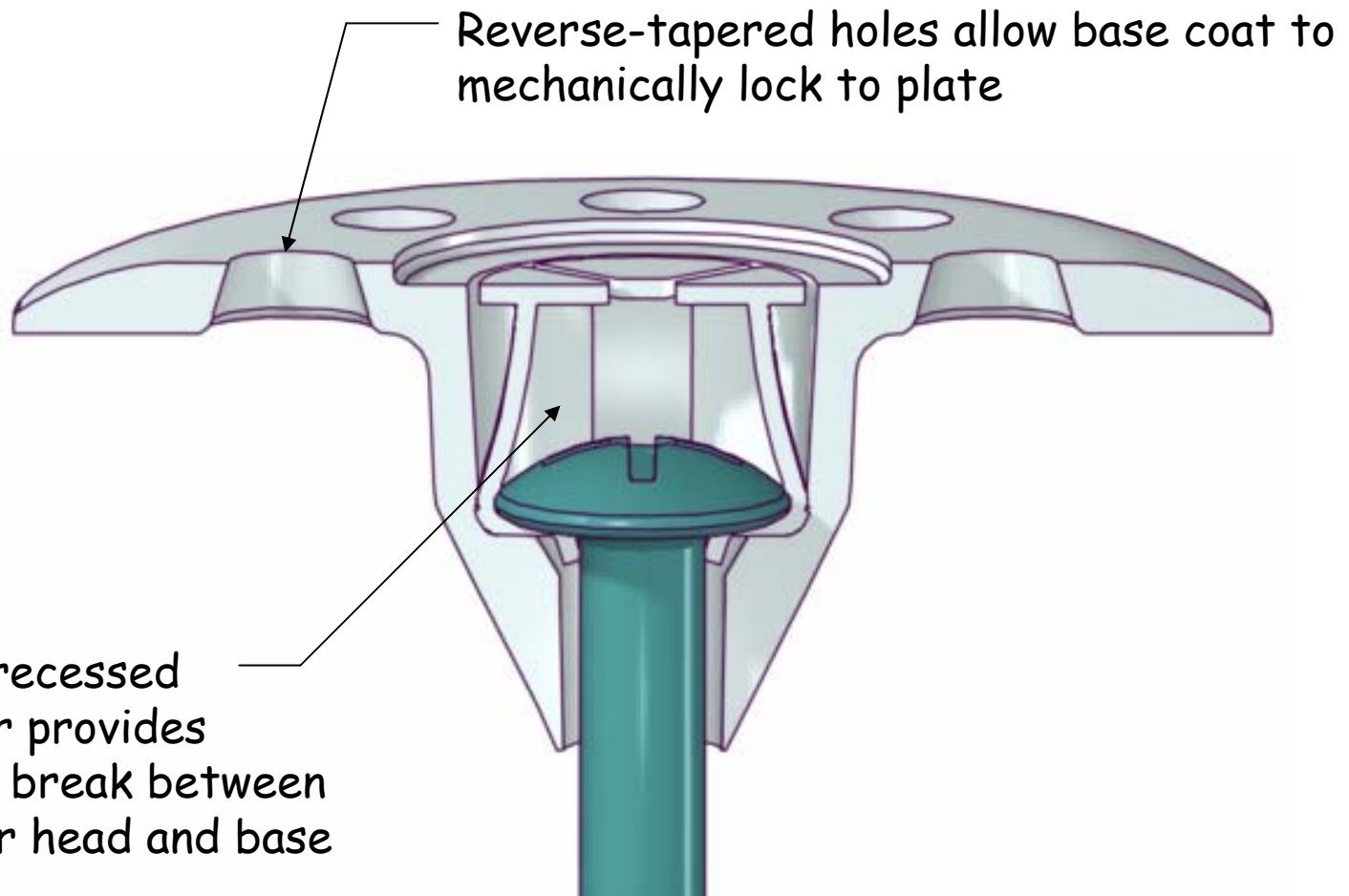


## Engineered Features

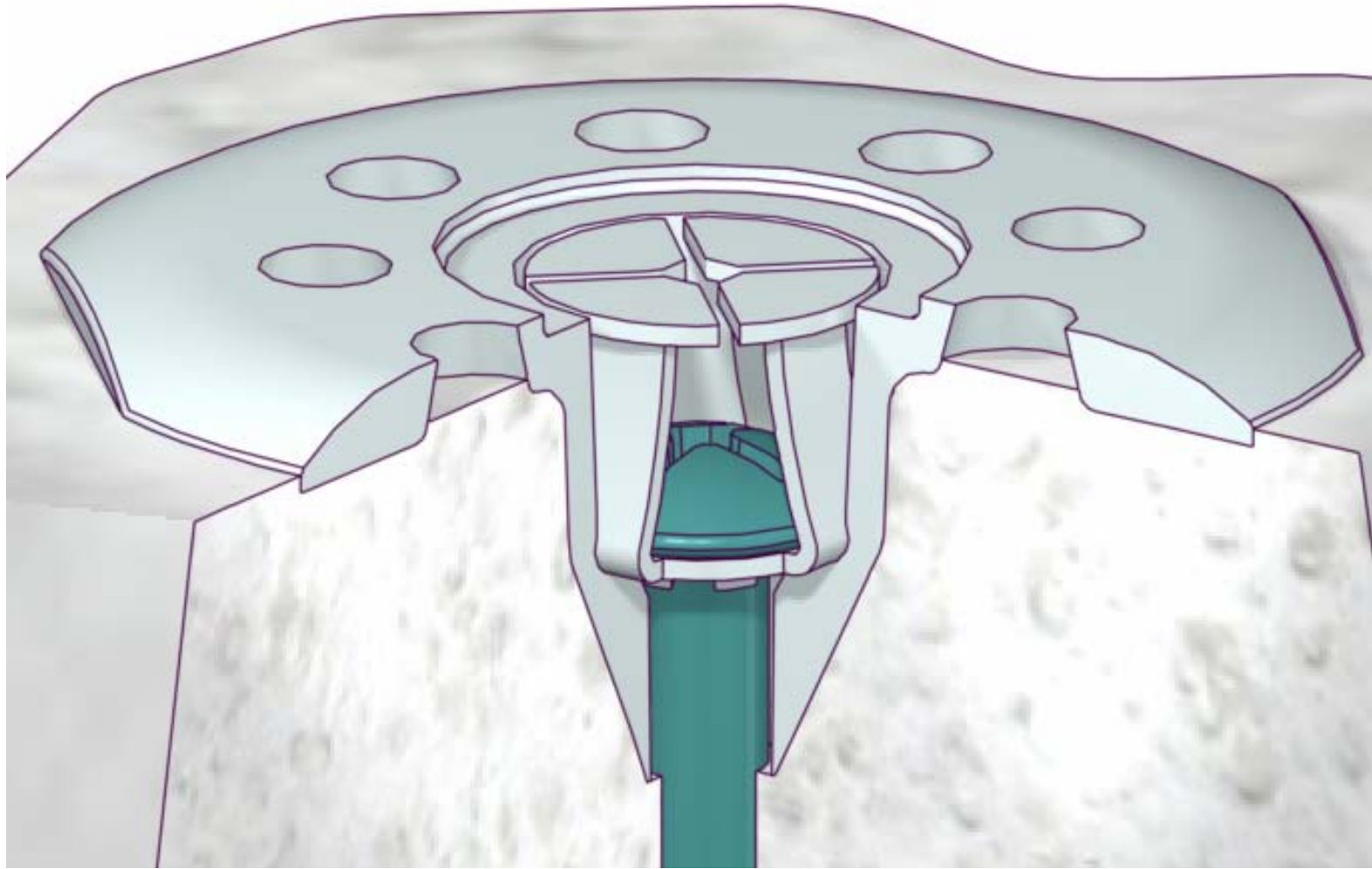
- 1-3/4" diameter
- Finger closure and recessed fastener chamber

*Always Consult system manufacturer for specific requirements.  
For longer screw lengths contact Wind-Lock @ 1-800-872-5625*





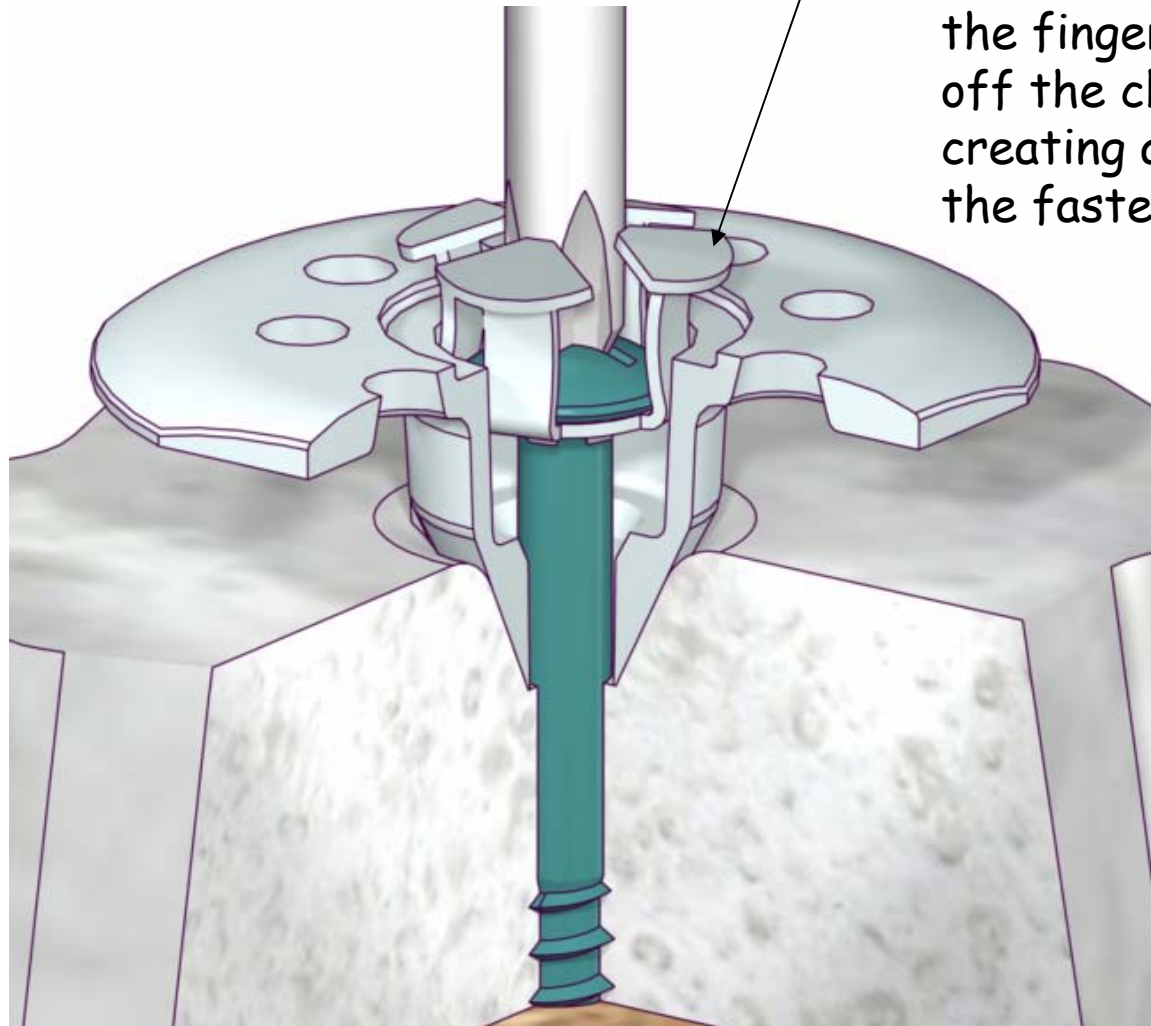
*Always Consult system manufacturer for specific requirements.  
For longer screw lengths contact Wind-Lock @ 1-800-872-5625*



*Always Consult system manufacturer for specific requirements.  
For longer screw lengths contact Wind-Lock @ 1-800-872-5625*

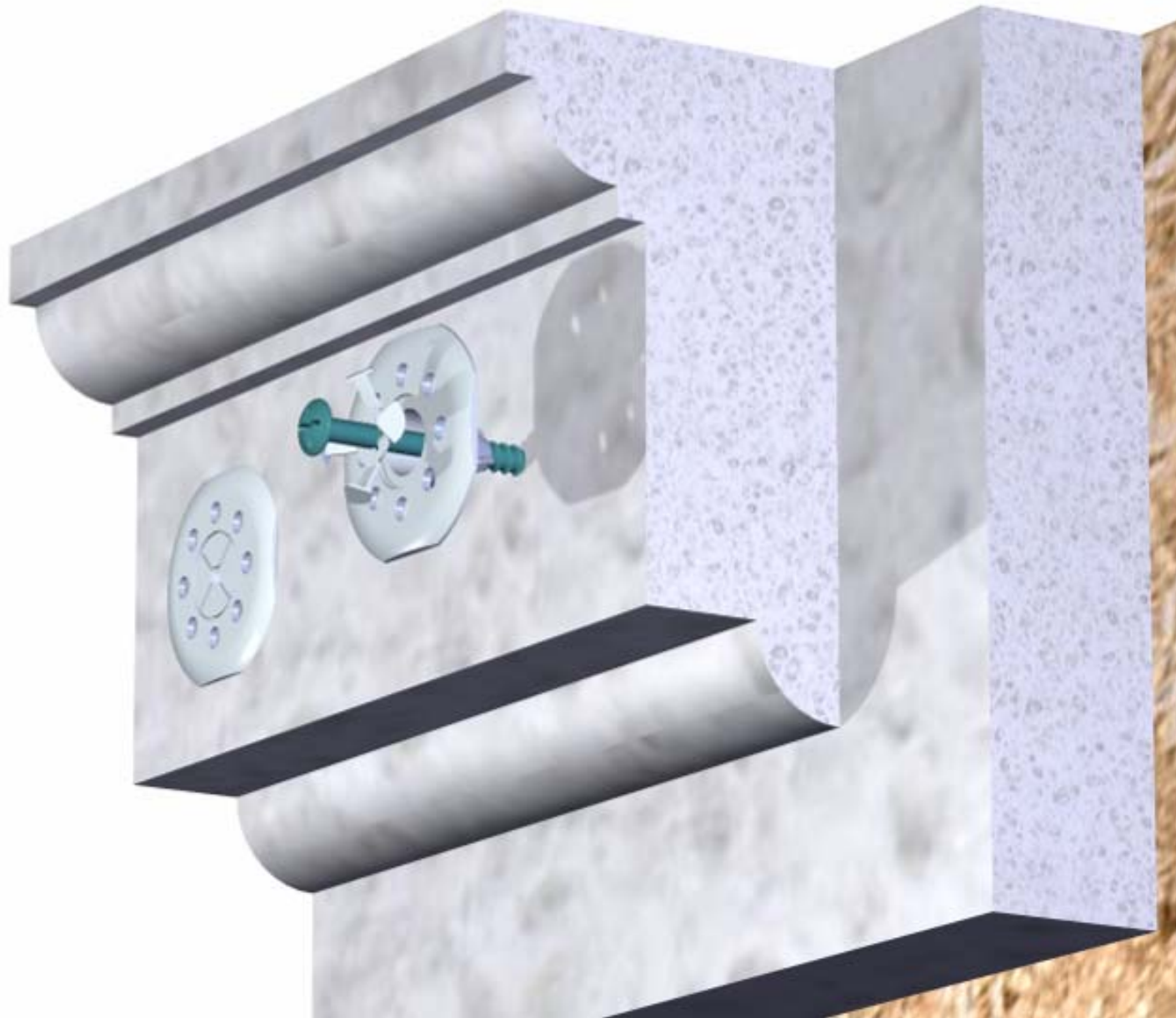
**Wind-lock**  
Your faithful business companion





As the fastener draws down into the center chamber of the plate, the fingers begin to close, sealing off the chamber opening, thereby creating a thermal break between the fastener head and the coating

*Always Consult system manufacturer for specific requirements.  
For longer screw lengths contact Wind-Lock @ 1-800-872-5625*

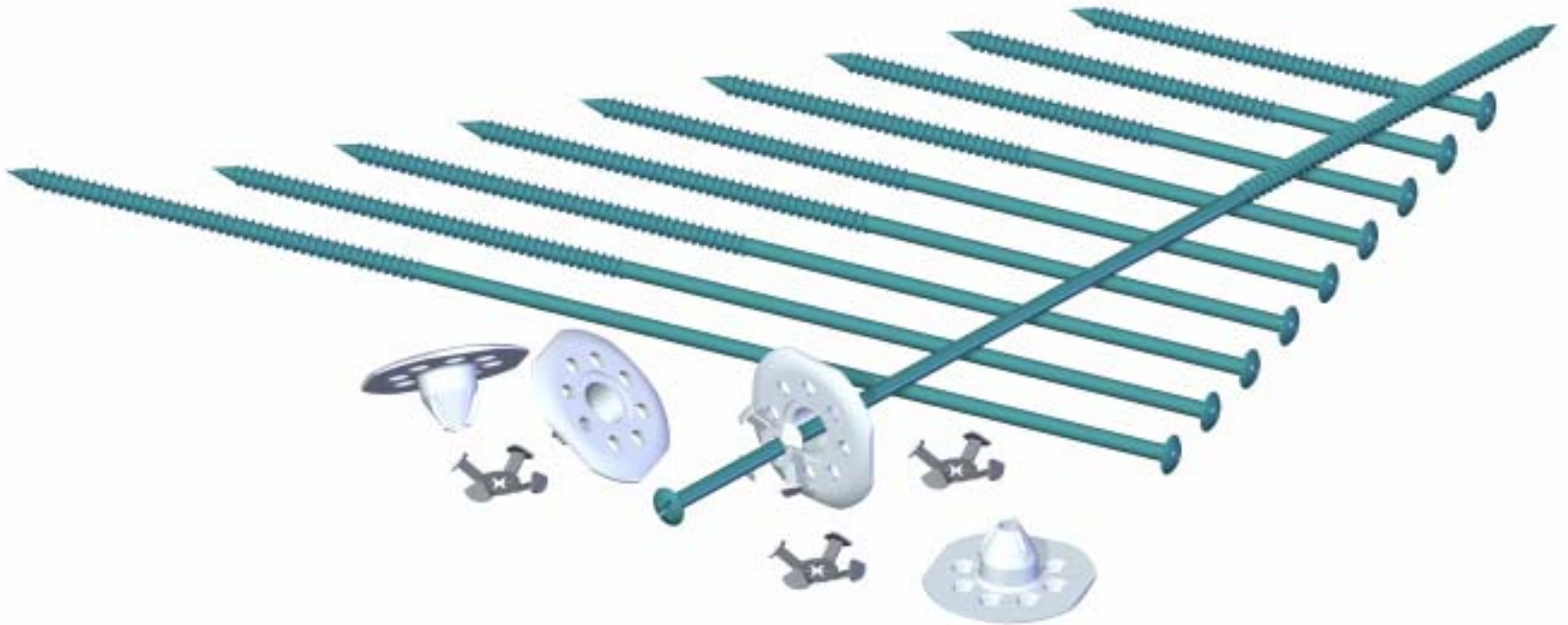


*Always Consult system manufacturer for specific requirements.  
For longer screw lengths contact Wind-Lock @ 1-800-872-5625*

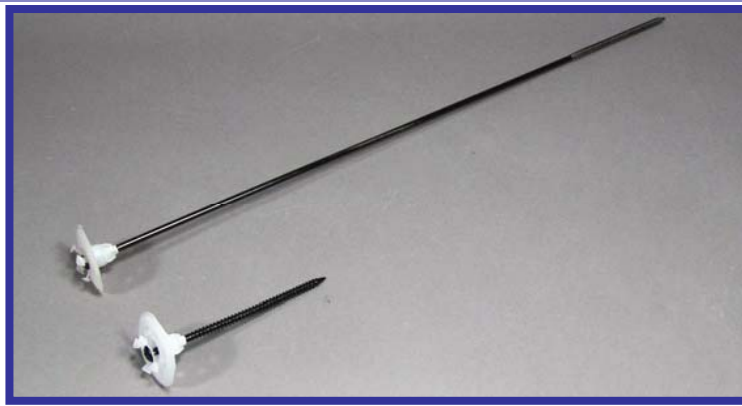
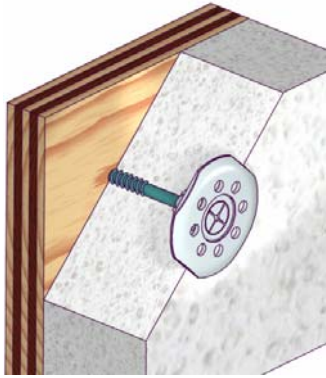
**Wind-lock**  
Your faithful business companion



Long-Lock Fasteners are available in a variety of lengths to fit all your application needs.



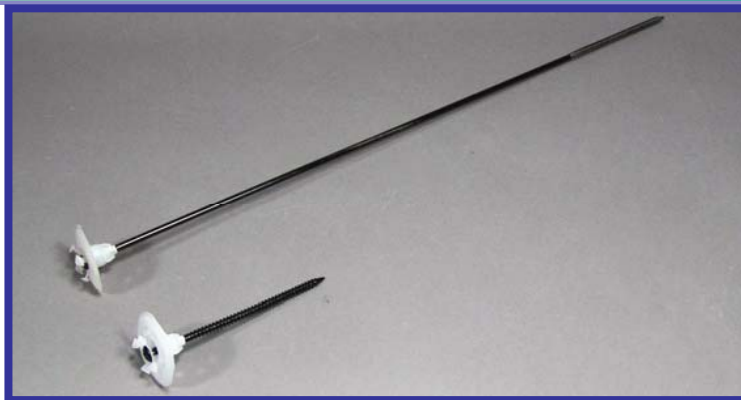
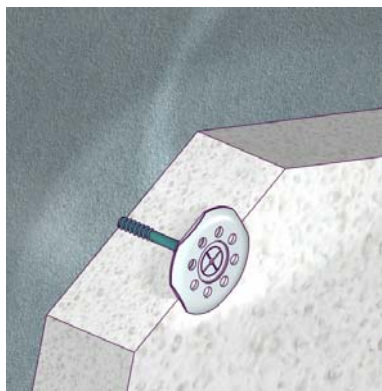
*Always Consult system manufacturer for specific requirements.  
For longer screw lengths contact Wind-Lock @ 1-800-872-5625*



## WLM—Wood/Lite Metal Screws

Part Code	Qty/Box	Insulation Thickness	Screw Size	Approx Wt/Box
WLM-9	100	6" - 6 ½"	# 14 x 7"	7 lb
WLM-10	100	7" - 7 ½"	# 14 x 8"	8 lb
WLM-11	100	8"	# 14 x 9"	9 lb
WLM-12	100	9"	# 14 x 10"	9 lb
WLM-13	100	10"	# 14 x 11"	10 lb
WLM-14	100	11"	# 14 x 12"	10 lb
WLM-15	100	12" - 13"	# 14 x 14"	12 lb

*Always Consult system manufacturer for specific requirements.  
For longer screw lengths contact Wind-Lock @ 1-800-872-5625*



## M—Masonry Screws

Hardness of masonry varies and may require a non-standard drill bit.  
Please consult Wind-lock® for assistance in proper drill bit size.

Part Code	Qty/Box	Insulation Thickness	Screw Size	Approx Wt/Box
M-7	100	4"	#14 x 5"	5 lb
M-8	100	5"	#14 x 6"	5 lb
M-9	100	6"	#14 x 7"	6 lb
M-10	100	7"	#14 x 8"	7 lb
M-11	100	8"	#14 x 9"	8 lb
M-12	100	9"	#14 x 10"	8 lb
M-13	100	10"	#14 x 11"	9 lb
M-14	100	11"	#14 x 12"	10 lb
M-16	100	13"	#14 x 14"	12 lb

Includes one drill bit per 200 pieces.

*Always Consult system manufacturer for specific requirements.  
For longer screw lengths contact Wind-Lock @ 1-800-872-5625*

**Wind-lock**  
Your faithful business companion

