

Electrical Boxes for ICF Buildings



INEXO™
THE ICF BOX



ELECTRICAL & TELECOMMUNICATIONS SYSTEMS

ELECTRICAL BOXES FOR INSULATED CONCRETE FORM BUILDINGS

- Single, Double and Triple Gang



We build tough products for tough environments®

INEXO™

THE ELECTRICAL BOX DESIGNED SPECIFICALLY FOR ICF CONSTRUCTION

THE SAME OLD PROBLEM



Until now there have been few choices when attempting to provide a truly professional electrical box solution for Insulated Concrete Form homes. Traditional electrical boxes are tedious to install and often require a fair amount of ingenuity and additional labor to provide a less than ideal finished product.

Other boxes offered to ICF builders require installation before the concrete pour, throwing off your project time-line.

AN INNOVATIVE SOLUTION

INEXO's patented¹ design provides a truly professional solution that works with your production schedule and provides the quality installation and finished look that builders require and owners appreciate. INEXO™ boxes link seamlessly with existing ICF materials, tools and methods. A complete offering designed for ICF walls allow builders to standardize on the use of electrical boxes throughout the building.

- ✓ INEXO electrical boxes are installed after the concrete pour allowing you to follow your traditional production schedule.
- ✓ INEXO boxes can be installed anywhere on the ICF wall allowing for more variety in box positioning as installers are no longer required to affix to the ICF ties or drill and secure to the concrete wall.
- ✓ INEXO residential boxes are available in single, double and triple gang options.
- ✓ INEXO boxes are fully certified to UL standards for use in ICF and can resist pull forces exceeding 100 lbs – (twice the standard requirement)

HOW TO ORDER

INEXO ICF boxes are distributed in the United States by Wind-Lock and available through your local ICF supply house. With four distribution centers across the country Wind-Lock can work with your tight schedule and have product available locally within 24 hours.

1-800-872-5625
www.wind-lock.com



¹ Patent No. 6,932,628 & Patent Pending

FAST AND EASY INSTALLATION

Installing INEXO boxes requires no special training making the transition to a new solution seamless.



STEP 1: Select the position for your box. Using a hot-knife or cutting tool, cut the opening in the EPS foam.



STEP 2: Insert the INEXO box into your opening and push the 'teeth' into place until you hear the 'click' – so you know your box is secure. If you are positioned next to a tie, you can utilize two of the 'teeth' on the non-tie side and use the flange holes on the opposite side to screw into the plastic tie.



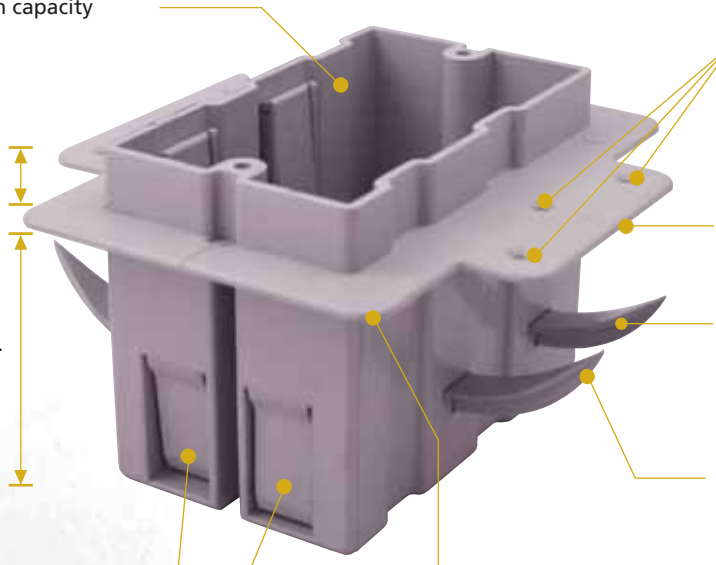
STEP 3: Pull through your NMD cable and continue

INNOVATIVE DESIGN FOR A PROFESSIONAL INSTALLATION

Single gang box provides
19 cubic inch capacity

INEXO provides a 1/2"
drywall setback resulting
in a professional finish.

With an insertion depth of 2-1/4"
and a smooth back, the INEXO
box is designed specifically for ICF.



Greater installation versatility
with 3 screw hole choices and
flanges on both sides.

Laser level guides for the most
precise box placement

'TEETH' can be easily removed and
replaced and provide an audible
'click' when fully engaged and
secured to the EPS foam.

'TEETH' lock in
place for a rigid
hold that won't
loosen.



Full flange prevents box from twisting
and sinking into foam if over-tightened.
This innovation allows installers to
provide a professional straight finish
with no lop-sided boxes.

Residential box designed for
NMD cable (14/2 – 10/3).

Description	Part Number	Product Code
Single Gang	ICF-1-RL	220000
Double Gang	ICF-2-RL	220001
Triple Gang	ICF-3-RL	220002

*Coming
Summer 2011*

**INEXO COMMERCIAL BOXES
FOR SCHOOLS, CHURCHES & HOTELS.**

A Supplier Known for Innovation and Support

IPEX USA LLC. supplies one of the world's most diverse lines of integrated thermoplastic piping systems for the electrical and telecommunications markets — all engineered from the ground up. With more than 50 years' experience in plastics combined with progressive technologies, the IPEX name is synonymous with quality, innovation and performance.

1.563 [39.69]

CUSTOMER SERVICE CENTER

IPEX USA LLC

2441 Royal Windsor Drive
Mississauga, Ontario L5J 4C7
Phone: (905) 403-0264
Toll Free: (800) 463-9572
Fax: (905) 403-9195

0.050 www.ipexamerica.com ±0.08

About the IPEX Group of Companies

As leading suppliers of thermoplastic piping systems, the IPEX Group of Companies provides our customers with some of the largest and most comprehensive product lines. All IPEX products are backed by more than 50 years of experience. With state-of-the-art manufacturing facilities and distribution centers across North America, we have established a reputation for product innovation, quality, end-user focus and performance.

Markets served by IPEX group products are:

- Electrical systems
- Telecommunications and utility piping systems
- PVC, CPVC, PP, ABS, PEX, FR-PVDF and PE pipe and fittings (1/4" to 48")
- Industrial process piping systems
- Municipal pressure and gravity piping systems
- Plumbing and mechanical piping systems
- PE Electrofusion systems for gas and water
- Industrial, plumbing and electrical cements
- Irrigation systems

Products manufactured by IPEX Electrical Inc. and distributed in the United States by IPEX USA LLC.

INEXO™ is a trademark of IPEX Branding Inc.

This literature is published in good faith and is believed to be reliable. However, it does not represent and/or warrant in any manner the information and suggestions contained in this brochure. Data presented is the result of laboratory tests and field experience.

A policy of ongoing product improvement is maintained. This may result in modifications of features and/or specifications without notice.

BRELIXIP110401
© 2011 IPEX

