

## 1. SAFETY WARNINGS

Before use make sure the set is complete and the machine is in working order. Do not use the cutter if damaged. Contact your supplier for assistance. Operate with caution. Do not force the machine. Keep the workplace clean, light and tidy. Keep the machine away from moisture and rain. The machine can only be used for intended purpose. Operate the machine only if wearing personal protective equipment (eyes protector, breath protection, glove protector, etc.) Keep children or other people away from the working area. Regular checks and maintenance of all parts are required. Use only licensed accessories. Keep the machine away from flammable and explosive substances. Do not use the machine to warm up liquids. Do not tread on the machine or the case. Keep your hands or other parts of your body away from hot knives. Follow the instructions for recommended work intervals (see below). Never operate the machine if tired or under the influence of drugs or alcohol. Packaging (interlayer, plastic bag etc.) should be kept away from children since some parts present a choking hazard.

### 1-1 INTENDED USE

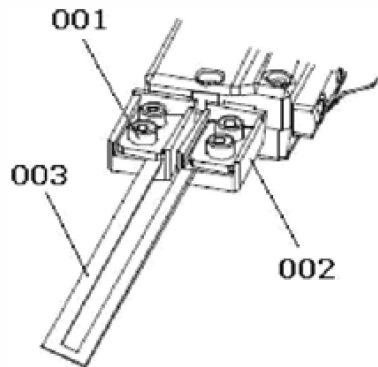
The styrofoam cutter can only be operated on styrofoam boards. Do not use with other materials. Do not use to warm up liquids.

## 2. INSTALLATION

The machine can only be used when all the replaceable blades are completely pre-assembled.

### 2-1 CHANGING BLADES

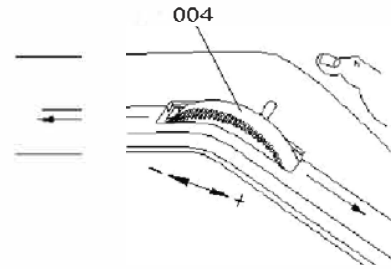
Before changing blades make sure that the machine is unplugged and the blades have cooled down. Loose screw (001) of blade holder (002). Then remove the blade (003). Remember to wear protective gloves since blades have sharp edges. Replace the old blade with a new one and then fasten the screws.



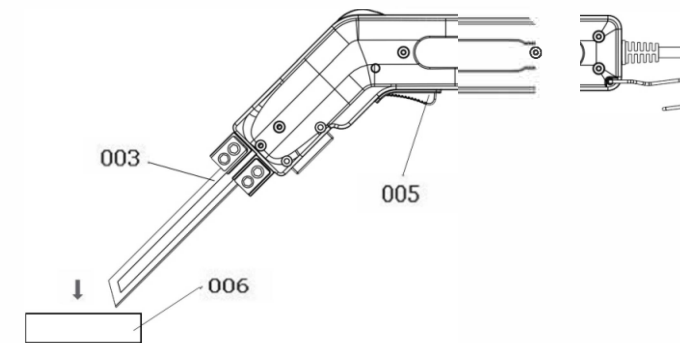
**HOT KNIFE**  
BY WIND-LOCK®

## 3. OPERATION

Set thermometer (004) to a moderate temperature, move regulator forward to increase the temperature and backward to decrease it (see the following picture as reference).



Put a blade (003) onto operating platform, then make sure the bottom side switch (005) is on before cutting.



To turn off release the switch and unplug the machine.

### 3-1 INSTRUCTIONS

Before the first use test on a piece of unneeded styrofoam.

Hot knives may overheat. In case of overheating turn off the machine and let it cool down to avoid damage to the blades. After 15 seconds of work let the blades cool down for 45 seconds.

When cutting foam keep the temperature and speed unchanged.

If you are starting to get smoke during cutting, you are cutting too slowly or the blade is too hot which could result in an uneven cut. To fix this:

-release the trigger;

-lower the temperature and press the trigger again to start over.

Release the trigger at a distance of approximately 5 cm to styrofoam.

That will help keep the blade clean and will prolong the life of the cutter.

The length of the exposed part of the blade over the styrofoam during cutting should not exceed 2cm.